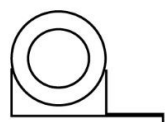


# METALICO

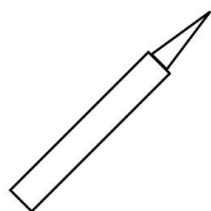
HANDMADE METAL SPLASHBACKS

## How to install our PEEL, STICK & SEAL metal splashbacks

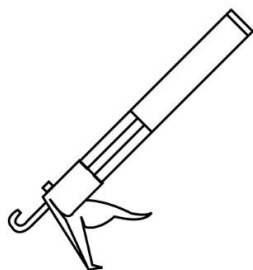
### What you need



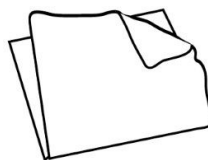
Tape Measure



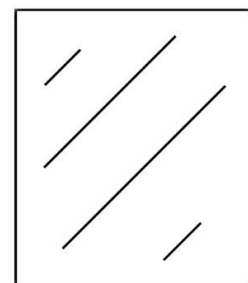
Clear Heat-Resistant Silicone Sealant



Sealant Gun



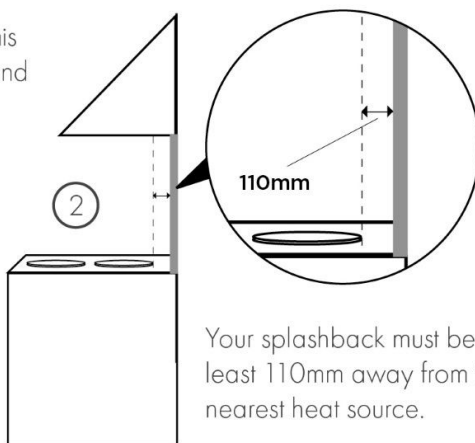
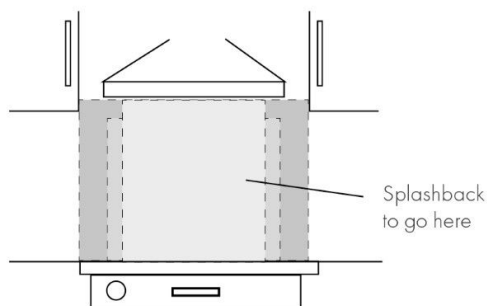
Clean Cloth



Splashback

### Before you start

- 1 Check that your splashback fits the space. This will depend on size of splashback ordered and your preferred orientation



Your splashback must be at least 110mm away from the nearest heat source.

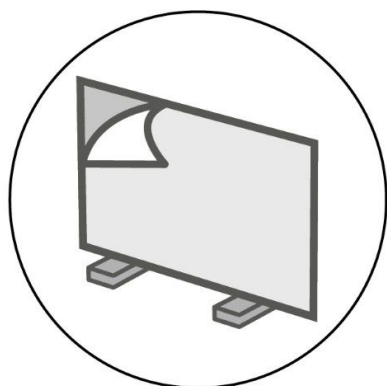
- 3 Check the surface is perfectly flat, non-porous, dry and dust free.

#### Please Note:

- Our splashbacks are made from durable stainless-steel so cannot be cut.
- Once in place our self-adhesive splashbacks cannot be repositioned.

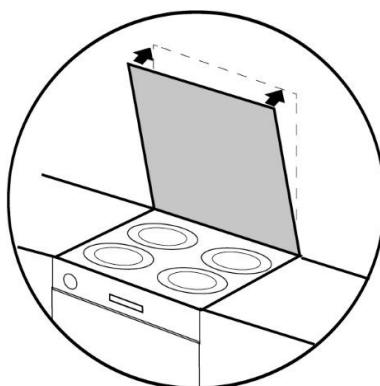
### Easy to apply

- 1 PEEL off backing



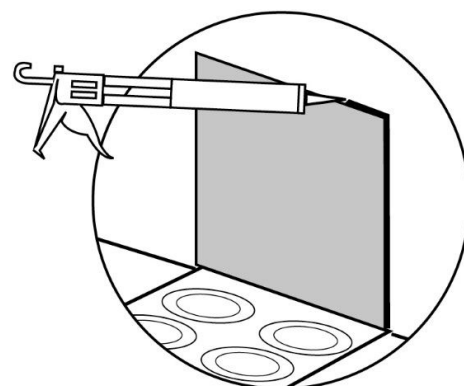
Make sure all corners are well protected from any hard surfaces. Carefully peel off the protective film back. Take care not to remove the self-adhesive backing.

- 2 STICK on the wall



Place the bottom edge of the splashback to the rear of the hob, cooker, range or sink. Push it to the wall and apply firm even pressure with a cloth.

- 3 SEAL the edges



Use the Clear Heat-Resistant Silicone Sealant to seal around all four sides of the splashback. Take care to ensure that the sealant is no more than 2.5mm in thickness.

# METALLICO

HANDMADE METAL SPLASHBACKS



## Health & Safety

Do not touch the self-adhesive backing once the protective film has been removed as contamination can affect the self-adhesive properties of the backing. We advise that the product is brought to room temperature over a period of 24 hours if it has been subject to very hot or cold conditions beforehand.

## Aftercare

- ① Simply use hot water and a mild soap detergent to clean the metal splashback. Do not use abrasive cleaners.
- ② Leave the splashback for at least 45 minutes to cool before wiping.

## Guarantee

All our metal splashbacks are guaranteed for 5yrs. For more information, visit [www.splashback.co.uk/terms.htm](http://www.splashback.co.uk/terms.htm)

If you require any further help or assistance with this item, please contact us at [enquiries@insightretail.co.uk](mailto:enquiries@insightretail.co.uk)

*Thank you for purchasing this splashback.*

We'd love to see your transformation. Why not take a photo of the space before and another once your splashback is in place, post on Instagram, and tag us @splashbackuk

For further information and inspiration, visit our website

SPLASHBACK.CO.UK

