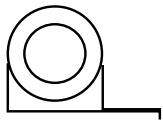
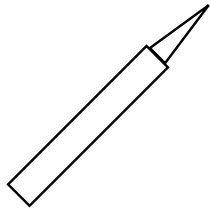


# How to install glass splashbacks

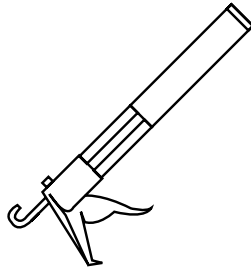
## What you need



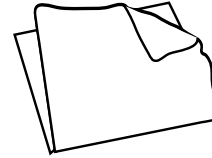
Tape Measure



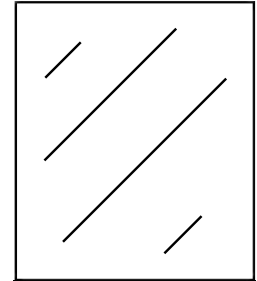
Silicone Sealant -  
Low Modulus Type



Sealant Gun



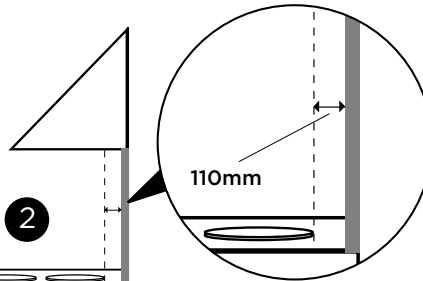
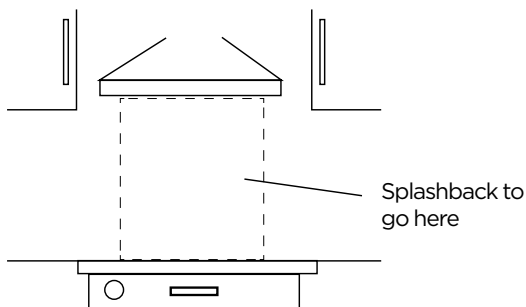
Clean Cloth



1 x Splashback

## Before you start

- 1 Check that your splashback fits into the required space.



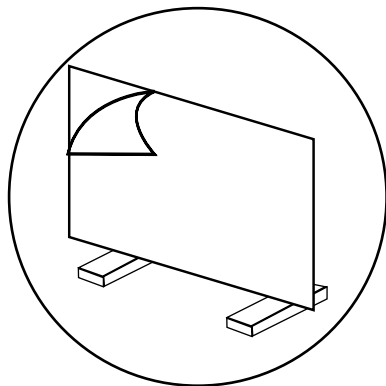
Your splashback must be at least 110mm away from the nearest heat source.

- 3 Check the surface is perfectly flat, non-porous, dry and dust free.

**Our splashbacks are made from toughened safety glass so they cannot be cut.**

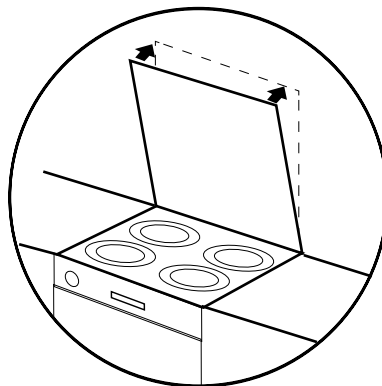
## Easy to apply

- 1 Peel off backing



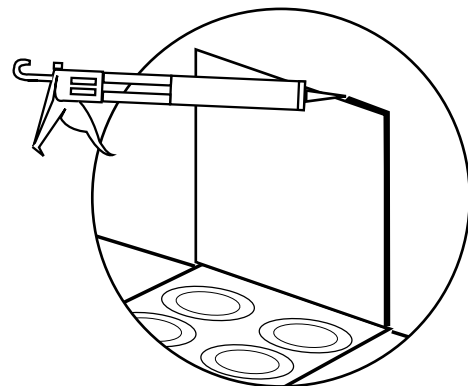
Make sure all corners are safe from hard surfaces. Take care to peel off the protective film back and **not** the self-adhesive backing.

- 2 Stick on the wall



Place the bottom edge of the splashback to the rear of the hob. Push it to the wall and apply firm even pressure with the cloth.

- 3 Seal the edges



Using the Silicone Sealant. No more than 2.5mm in thickness.

# Health & Safety

## WARNING!



## SAFE HANDLING GLASS

All products are supplied with a safety backing but we recommend that the glass is handled with care and in particular eye protection and suitable gloves should be worn.

Do not touch the backing once it's been peeled as contamination can affect the adhesive properties of the backing. We advise that the product is brought to room temperature over a period of 24 hours if it has been subject to very hot or cold conditions.

## IMPORTANT

Unfitted glass is fragile. Do not place on hard surfaces prior to fitting. Special care should be taken with the corners of the product as impact will cause the product to shatter.

---

# Aftercare

- 1 When cleaning the splashback use hot water and a mild soap detergent. Do not use abrasive cleaners.
  - 2 Leave the Splashback for at least 45 minutes to cool before wiping, as in extreme cases, applying a cold cloth to a hot surface can cause the glass to crack/shatter.
- 

Thank you for purchasing this Splashback.  
For further information, additional colours and styles,  
please visit our website

**SPLASHBACK.CO.UK**